

visual engineering
LIGHTWARE

**LIGHTWARE
TAURUS PROGRAM**

The Business Challenges

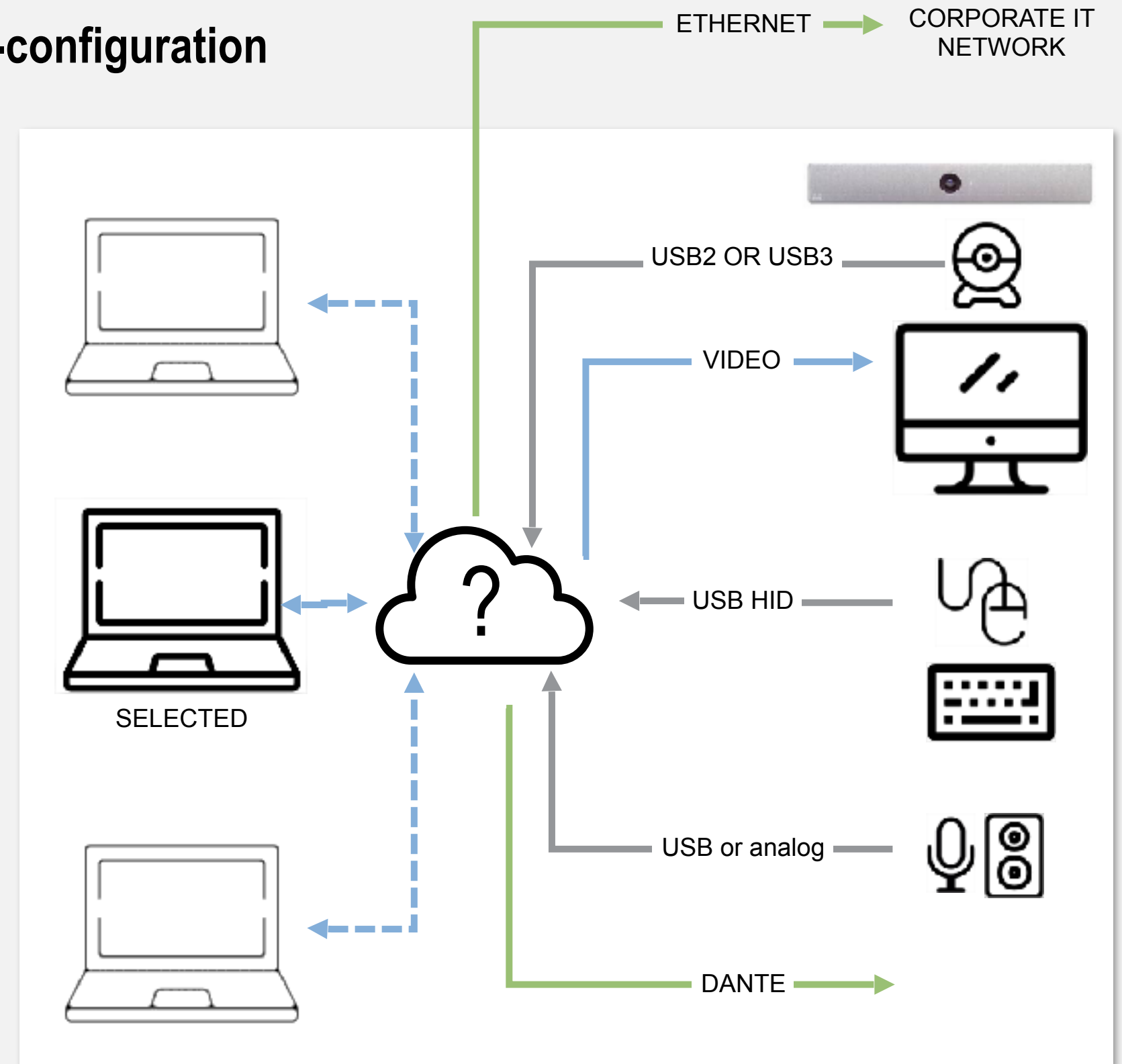
#1: Small huddle rooms / conference rooms need dynamic re-configuration

The use-cases are:

1. Built-in Cisco RoomKit / Mini is used for teleconference
2. Built-in Room-PC (Zoom or Skype) is used for teleconference
3. BYOD (Bring-Your-Own-Device) is used for teleconference

Room devices/systems to attach to the selected host-PC:

- Screen(s) with HDMI input (HDMI switcher/matrix functionality)
- HID devices (keyboard, mouse, touch-screen)
- Various USB(2-1) devices: Speakerphone
- USB3 output of the
 - PTZ camera or
 - RoomKit (in External Camera Mode)
- Dante Audio system (audio from host-PC to Dante network)



The Technical Solutions from Lightware

1. **USB 3.0 host switching**
2. **Type-C signal management and charging**
3. **HDMI 2.0 in a Lightware box**
4. **Network security features**

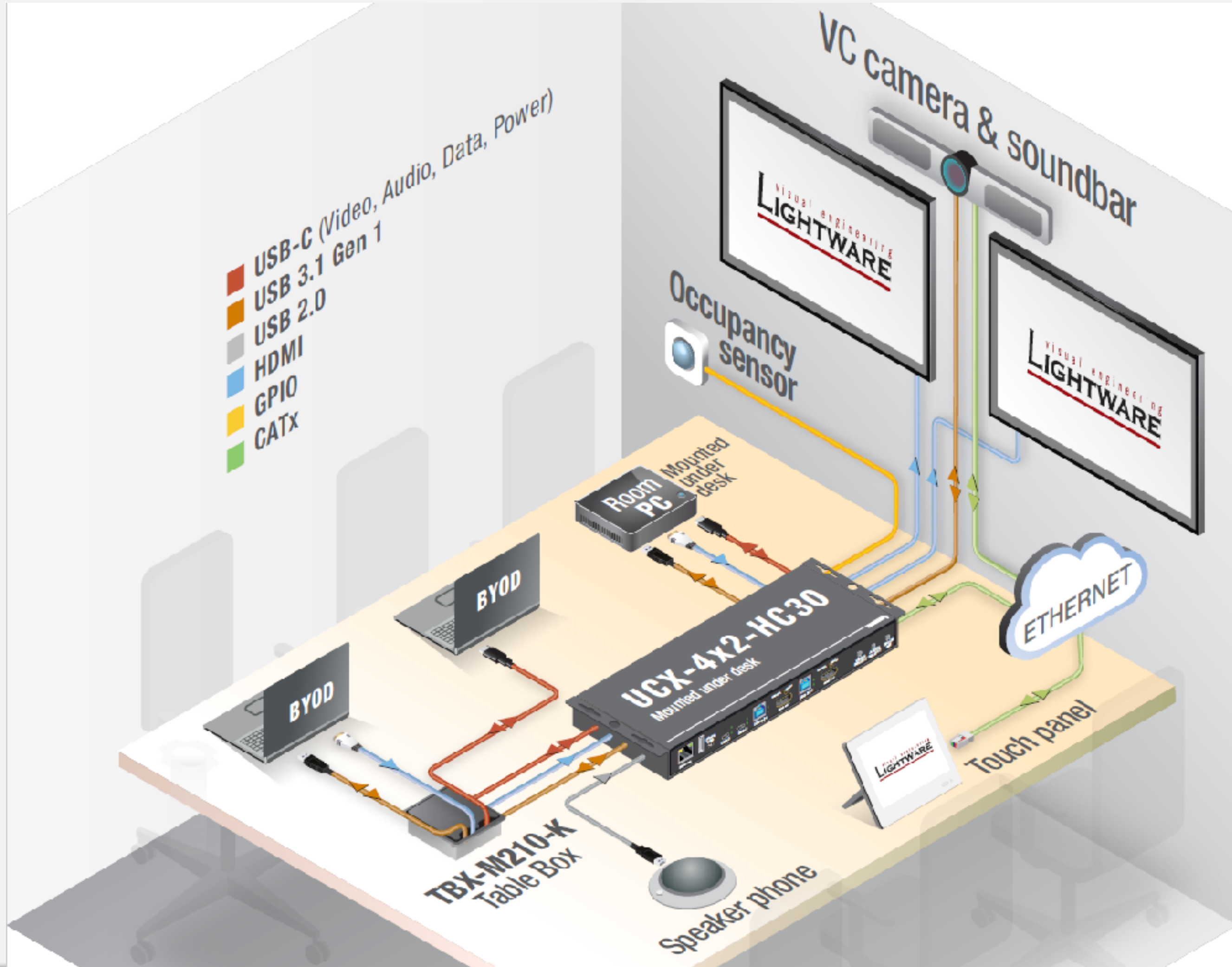
Microtaurus – single box

5. **Extension (dual-box solution) for large size meeting rooms**
via CAT-cables (fibers are not „welcome” in corporate)

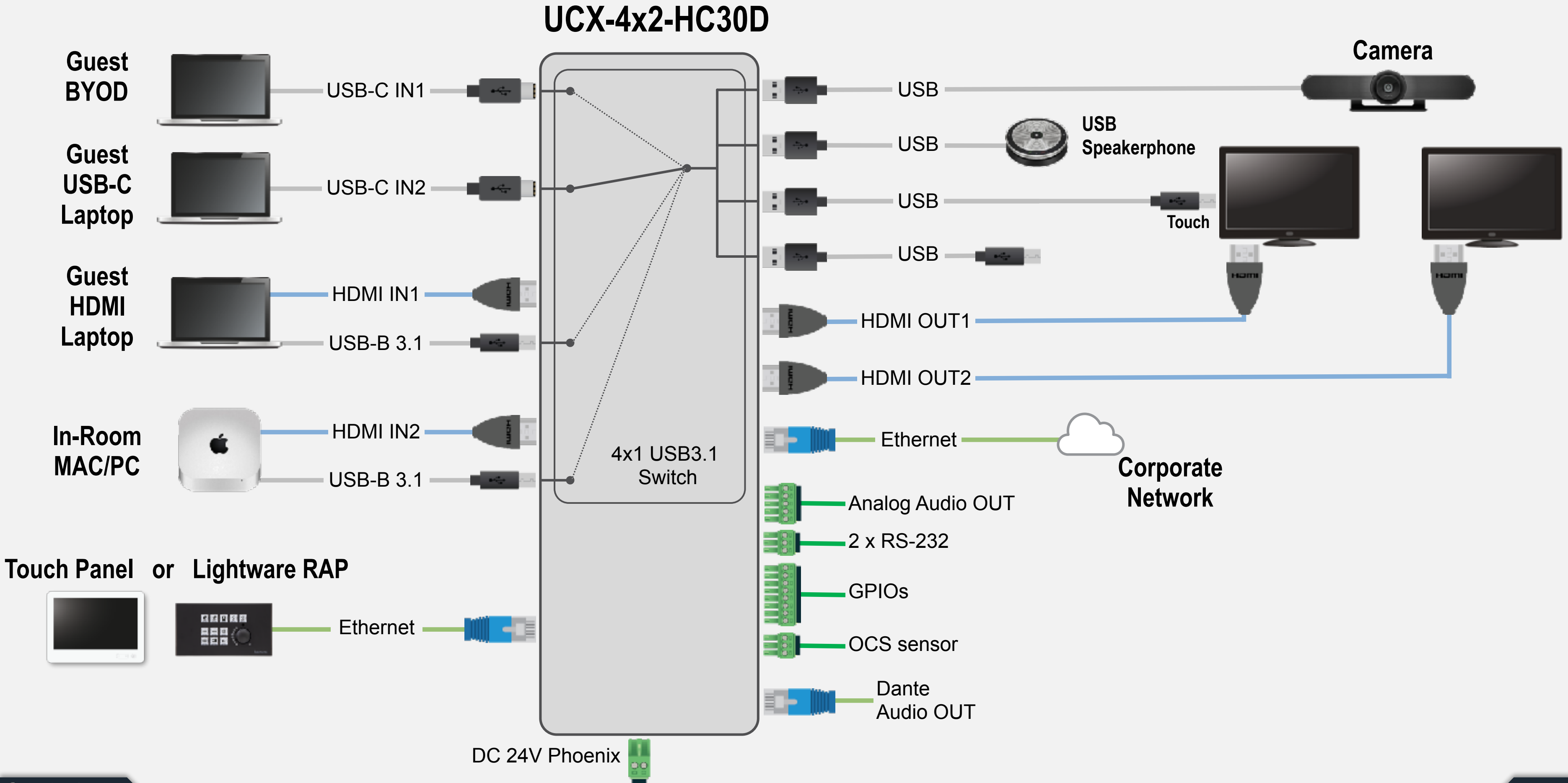
Minotaurus – dual box

6. **HDMI to USB conversion for HDMI cameras**
(Cisco RoomKit / Plus has no USB webcam „output”)
7. **Supporting wireless screen sharing without proprietary drivers**

- USB-C (Video, Audio, Data, Power)
- USB 3.1 Gen 1
- USB 2.0
- HDMI
- GPIO
- CATx

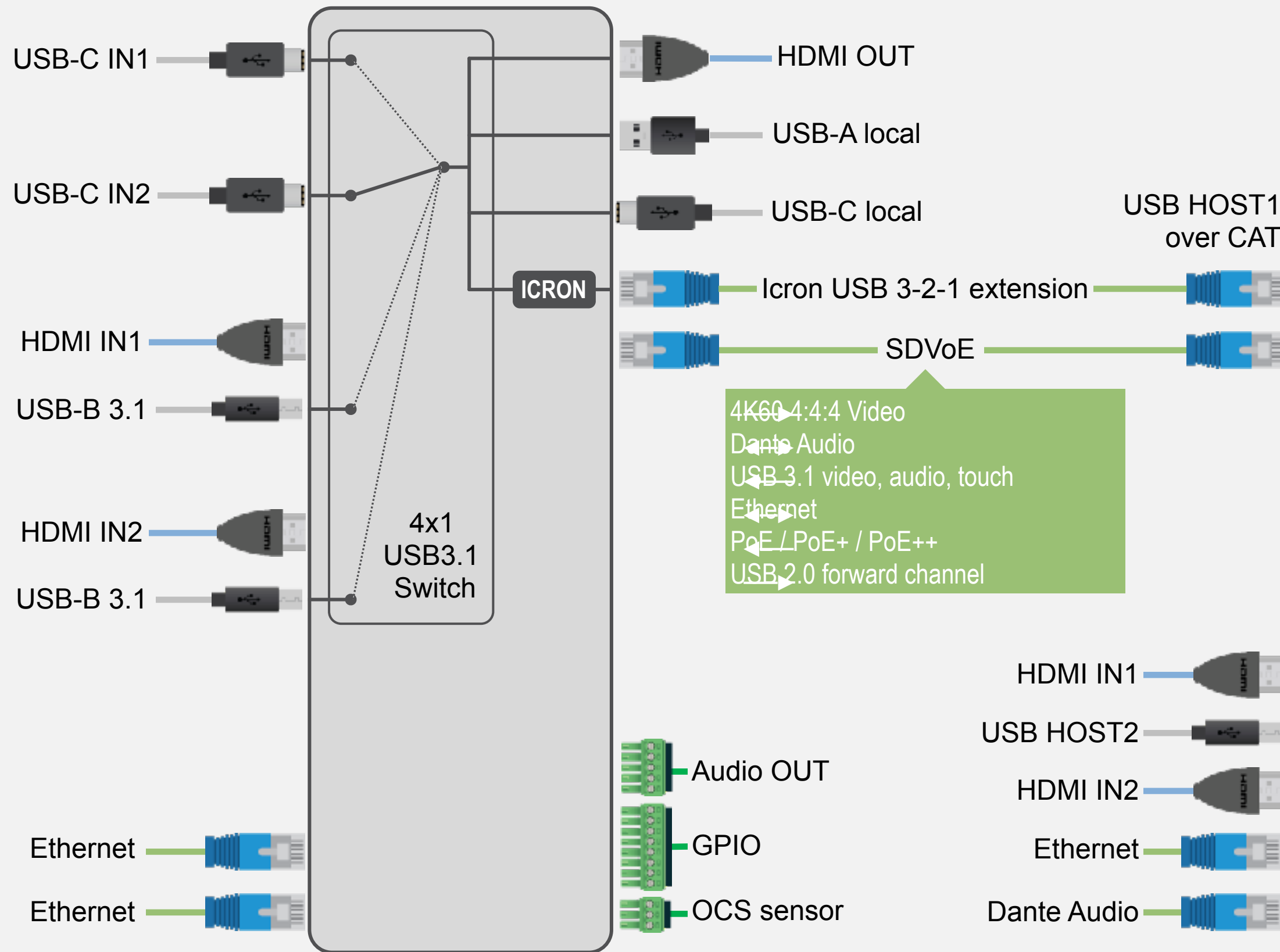


Microtaurus

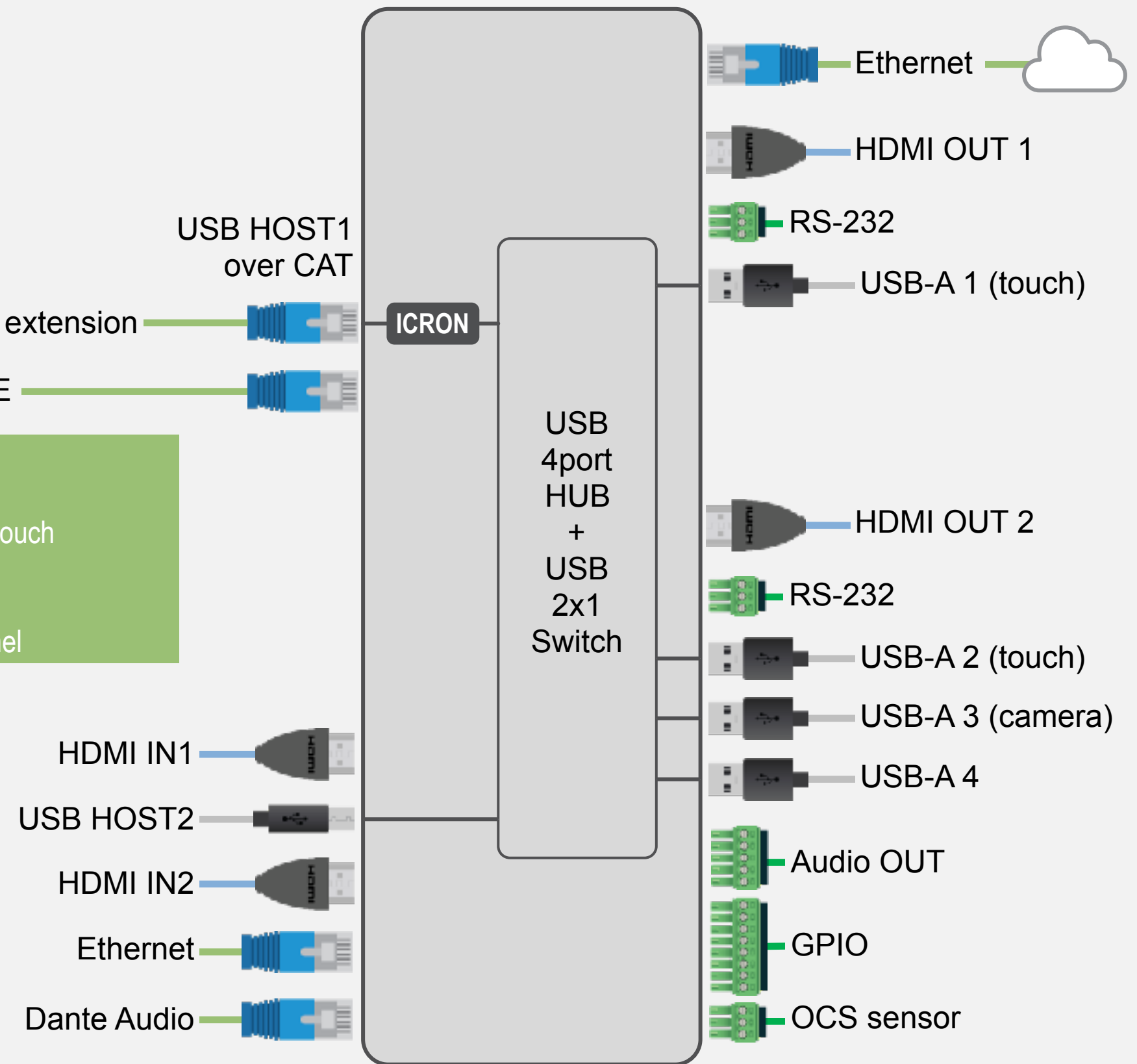


Minotaurus

TX / Table "TX 4x2 Minotaurus"



RX / Screen "Minotaurus"



Roadmap * – Microtaurus (Single Box Solution)

* Indication only,
subject to change
without prior notice

